



SECTIONAL NO-PUSHER™

LIGHT DUTY PARTS MANUAL

GENERATION 2

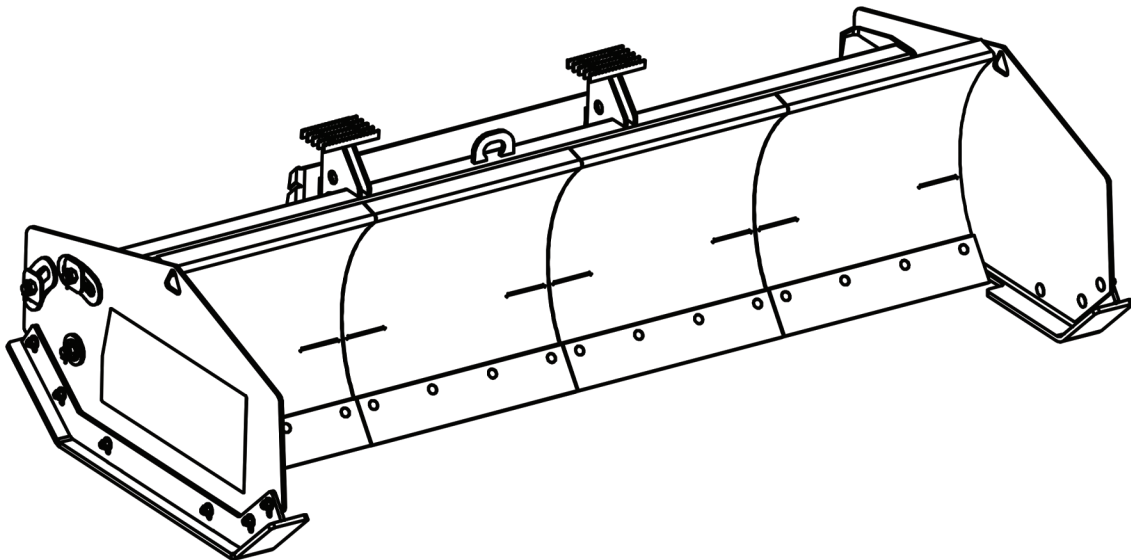
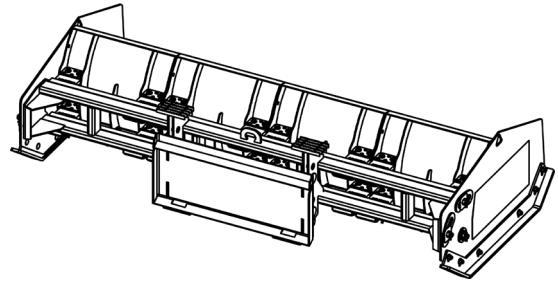
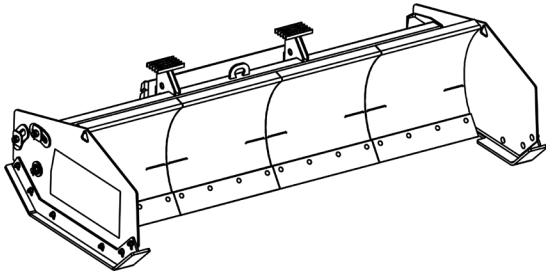


TABLE OF CONTENTS

Bill of Materials	3
Light Duty Moldboard	4
Light Duty Moldboard to Frame	5
Light Duty Cutting Edge to Moldboard	6
Light Duty Side Panel to Frame	7
Light Duty Wear Shoe to Side Panel	8
Skid Steer Slip Hitch Plate	9



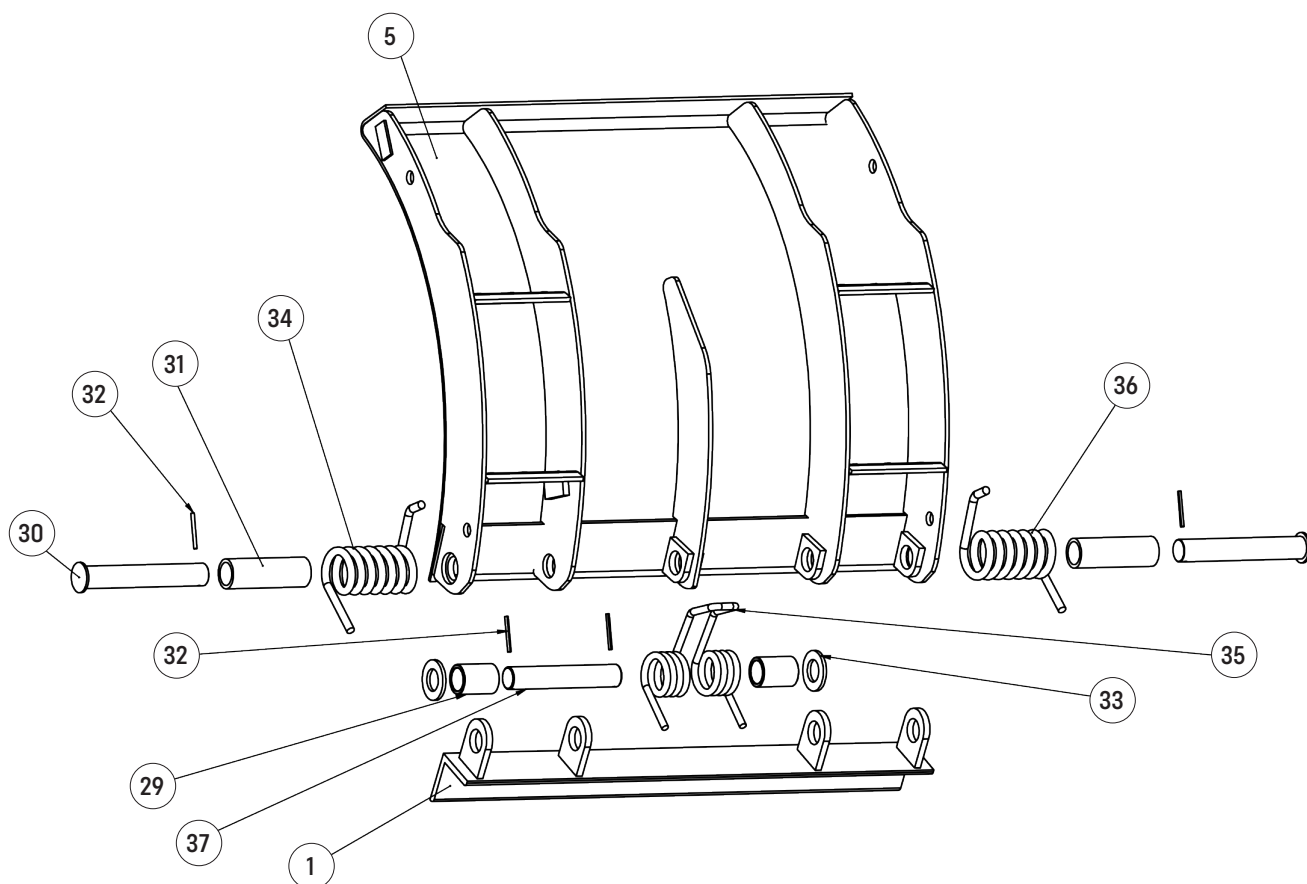
BILL OF MATERIALS



ITEM	PART NO.	DESCRIPTION
1	7011	Light Duty Trip Edge Weldment - 30in. Wide
2	10208	Light Duty Polyurethane Block, 1.5in. Thick
3	10205	Light Duty Polyurethane Block, 1in. Thick
4	7006	Poly Block Washer
5	7021	Light Duty Moldboard
6	7091	5/8 X 1 7/16in. Flat Washer
7	7062	5/8-11 X 2.5in. Hex Head Bolt
8	7061	5/8-11in. Nylock Nut
9	95069	5/8-11 X 3in. Hex Head Bolt
10	7063-F	5/8-11 X 2in. Hex Head Flange Bolt
11	7062-F	5/8-11 X 2.5in. Hex Head Flange Bolt
12	7063	5/8-11 X 2in. Countersunk Flat Head Carriage Bolt
13	7064	5/8-11 X 2in. Round Head Carriage Bolt
14	7068	1 1/16in. Square Washer, 3.75 X 3.75in., 0.25in. Thick
15	7067	1 X 2.5in. Flat Washer
16	7066	1-8 Hex Head Castle Nut
17	7092	Light Duty Slip Hitch Pin
18	7097	1/4-20 X 2in. Hex Head Bolt
19	7096	1/4-20 Nylock Hex Nut
20	34621	Light Duty Cutting Edge, 30 X 6in.
21	7025	Light Duty Side Panel, Left
22	7035	Light Duty Shoe, Left
23	7022	1 1/16 X 1 5/16in. Bushing, 0.75in. Long
24	7024	Light Duty Side Panel, Right
25	7615	Light Duty Shoe, Right
26	7610	Light Duty Slip Hitch Skid Steer Plate
27	SPLD1.59012	Light Duty Side Panel Decal
28	7069	Cotter Pin, 5/32 X 3
29	7037	Center Trip Edge Pin Sleeve
30	7038	Outer Trip Edge Pin
31	7073	Outer Trip Edge Pin Sleeve
32	7078	3/16 X 2in. Roll Pin
33	7081	1.25 X 2.25in. Flat Washer
34	7112	Left Torsion Spring
35	7113	Center Torsion Spring
36	7117	Right Torsion Spring
37	7119	Center Trip Edge Pin

SECTIONAL
NO-PUSHER™

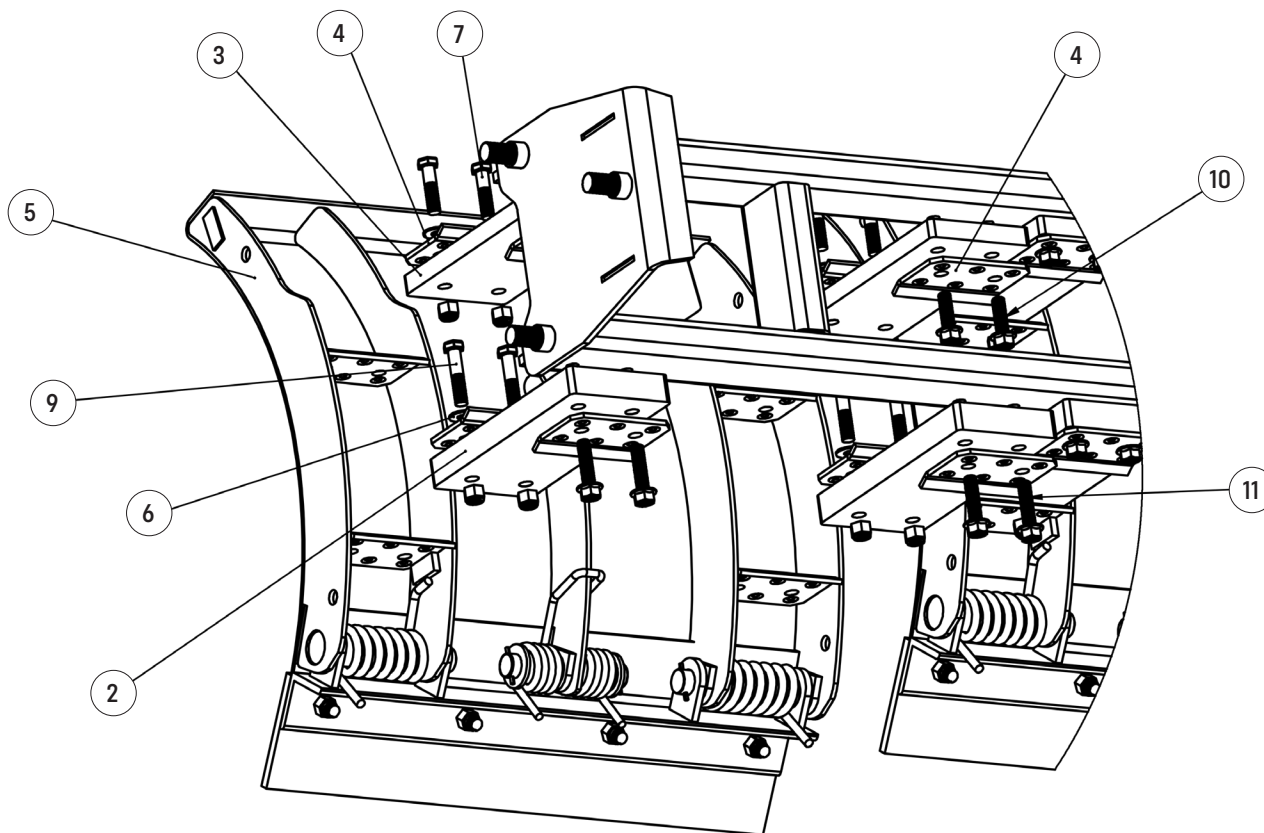
LIGHT DUTY MOLDBOARD



ITEM	PART NO.	DESCRIPTION
1	7011	Light Duty Trip Edge Weldment - 30in. Wide
5	7021	Light Duty Moldboard
29	7037	Center Trip Edge Pin Sleeve
30	7038	Outer Trip Edge Pin
31	7073	Outer Trip Edge Pin Sleeve
32	7078	3/16 X 2in. Roll Pin
33	7081	1.25 X 2.25in. Flat Washer
34	7112	Left Torsion Spring
35	7113	Center Torsion Spring
36	7117	Right Torsion Spring
37	7119	Center Trip Edge Pin

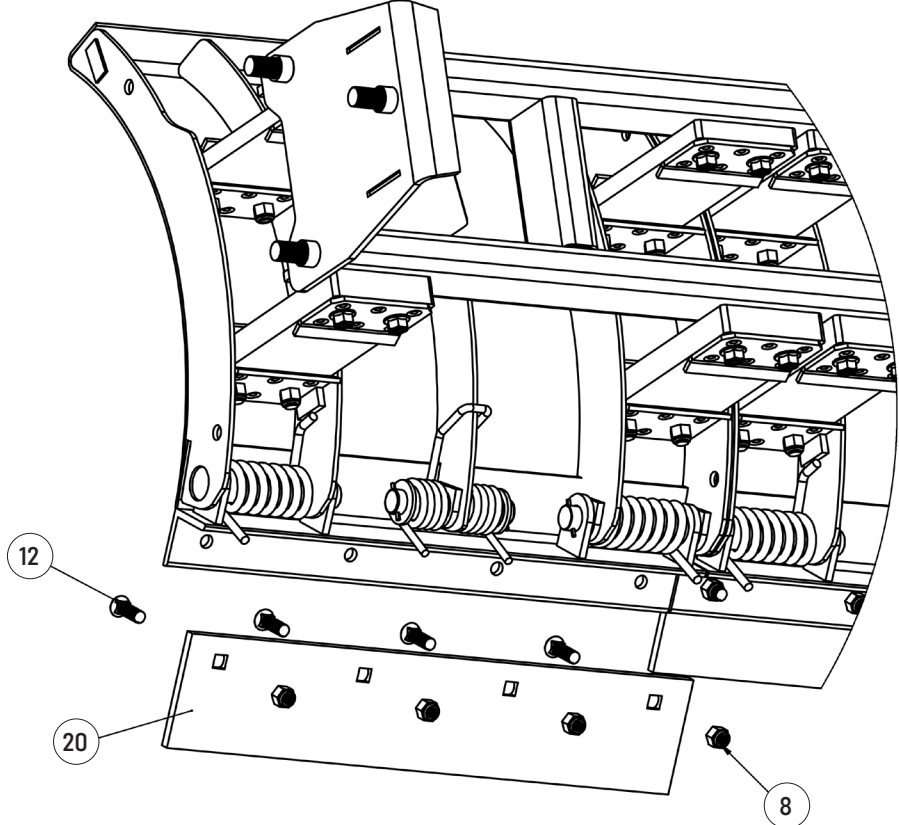
SECTIONAL
NO-PUSHER™

LIGHT DUTY MOLDBOARD TO FRAME



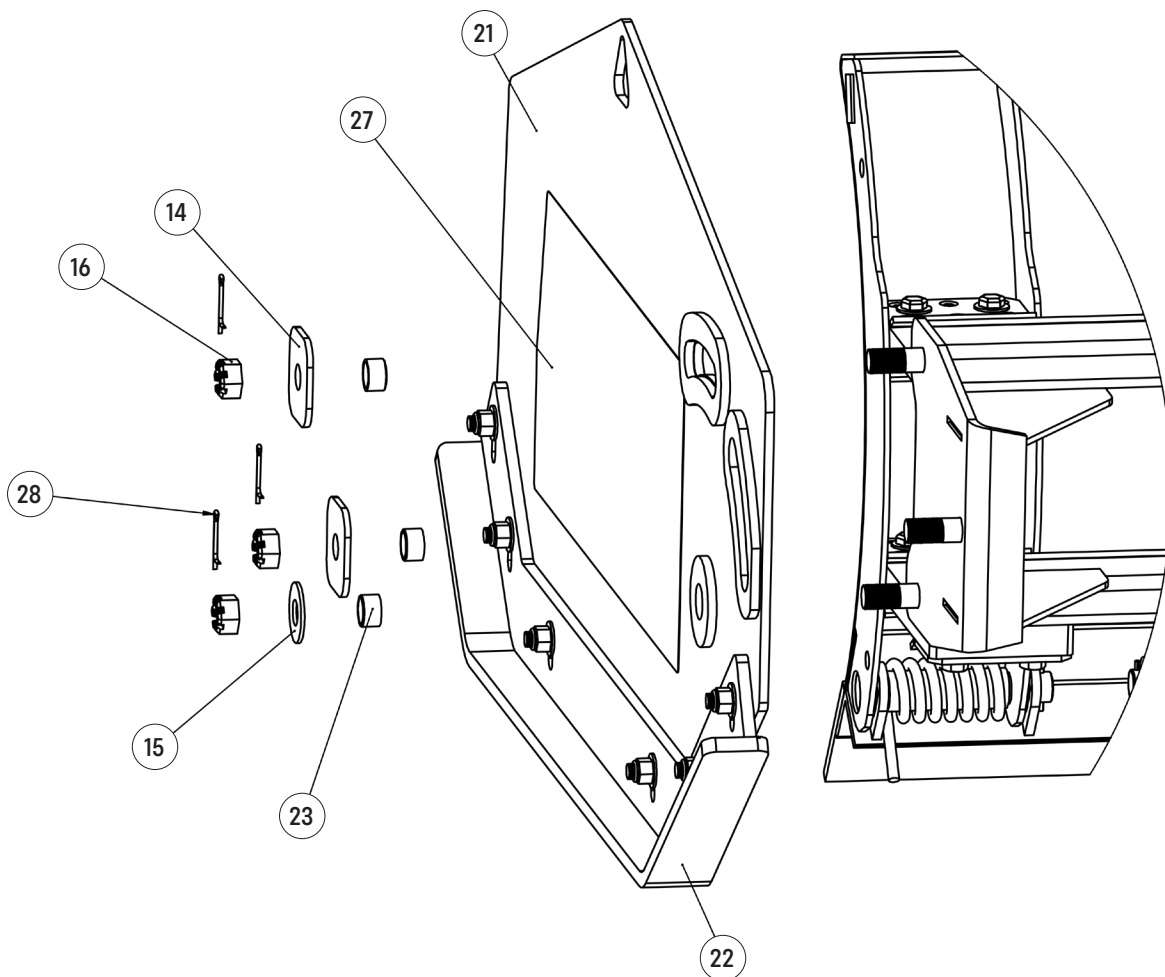
ITEM	PART NO.	DESCRIPTION
2	10208	Light Duty Polyurethane Block, 1.5in. Thick
3	10205	Light Duty Polyurethane Block, 1in. Thick
4	7006	Poly Block Washer
5	7021	Light Duty Moldboard
6	7091	5/8 X 1 7/16in. Flat Washer
7	7062	5/8-11 X 2.5in. Hex Head Bolt
9	95069	5/8-11 X 3in. Hex Head Bolt
10	7063-F	5/8-11 X 2in. Hex Head Flange Bolt
11	7062-F	5/8-11 X 2.5in. Hex Head Flange Bolt

LIGHT DUTY CUTTING EDGE TO MOLDBOARD



ITEM	PART NO.	DESCRIPTION
8	7061	5/8-11in. Nylock Nut
12	7063	5/8-11 X 2in. Countersunk Flat Head Carriage Bolt
20	34621	Light Duty Cutting Edge, 30 X 6in.

LIGHT DUTY SIDE PANEL TO FRAME



ITEM	PART NO.	DESCRIPTION
14	7068	1 1/16in. Square Washer, 3.75 X 3.75in., 0.25in. Thick
15	7067	1 X 2.5in. Flat Washer
16	7066	1-8 Hex Head Castle Nut
21	7025	Light Duty Side Panel, Left
22	7035	Light Duty Shoe, Left
23	7022	1 1/16 X 1 5/16in. Bushing, 0.75in. Long
27	SPLD1.59012	Light Duty Side Panel Decal
28	7069	Cotter Pin, 5/32 X 3
24*	7024	Light Duty Side Panel, Right
25*	7615	Light Duty Shoe, Right

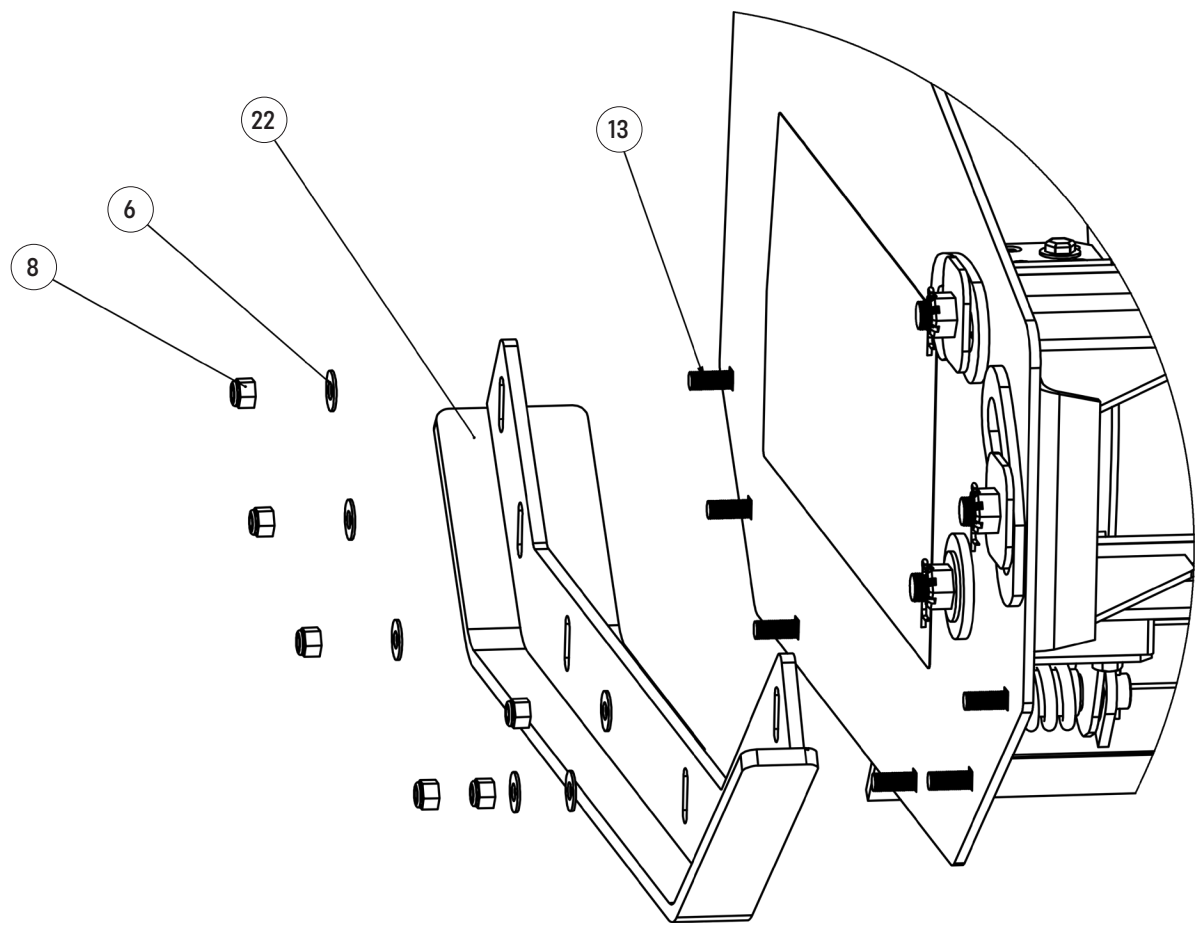
*Note shown in diagram

SECTIONAL
NO-PUSHER™

Arctic Sectional Sno-Pusher™ LD Parts Manual: Generation 2

www.arcticsnowproducts.com | 7

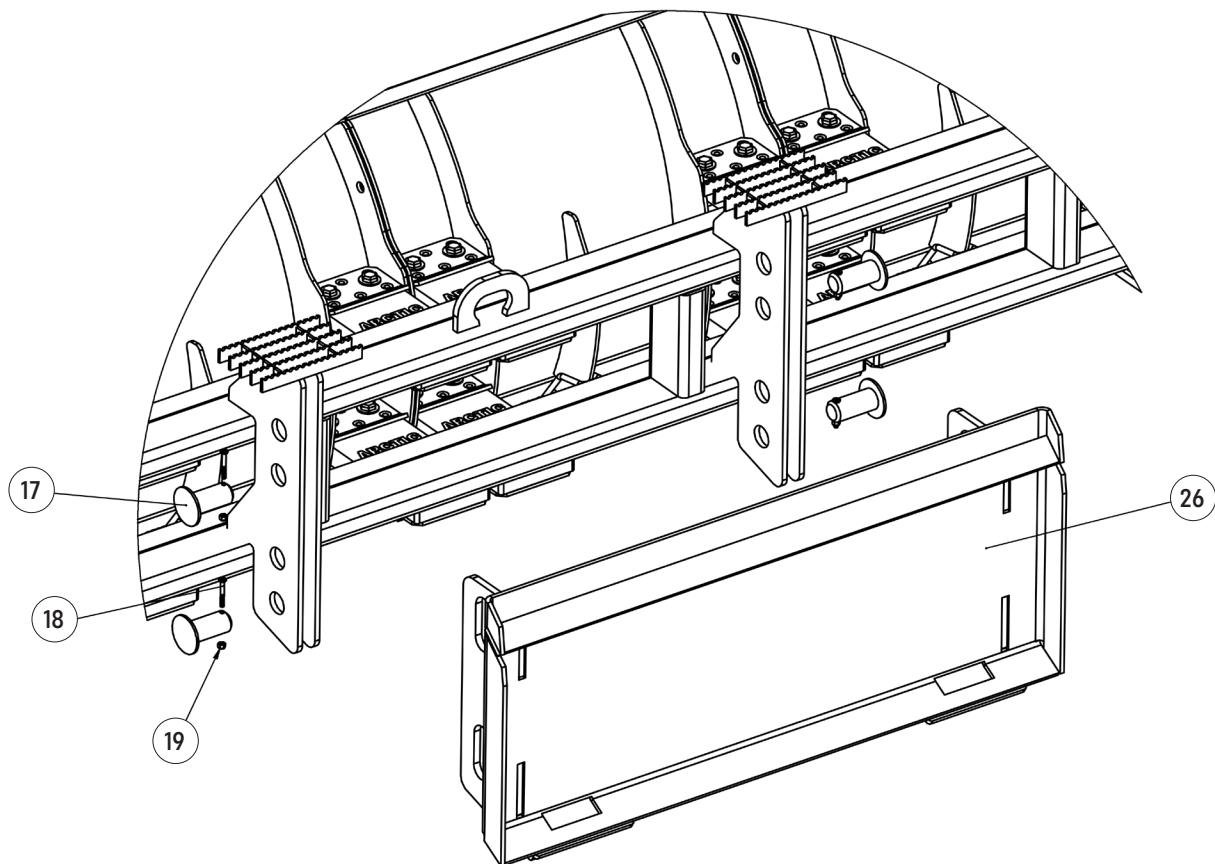
LIGHT DUTY WEAR SHOE TO SIDE PANEL



ITEM	PART NO.	DESCRIPTION
6	7091	5/8 X 1 7/16in. Flat Washer
8	7061	5/8-11in. Nylock Nut
22	7035	Light Duty Shoe, Left
13	7064	5/8-11 X 2in. Round Head Carriage Bolt



SKID STEER SLIP HITCH PLATE



ITEM	PART NO.	DESCRIPTION
17	7092	Light Duty Slip Hitch Pin
18	7097	1/4-20 X 2in. Hex Head Bolt
19	7096	1/4-20 Nylock Hex Nut
26	7610	Light Duty Slip Hitch Skid Steer Plate